



Alignment Clamps



EFrac 180 – Standard Kit



EFrac 180 – Delux Kit



EFrac 180 delux with 90° Tee Adaptor Clamp



Tee Adapter Carrying Holdall



Carrying Holdall

EFrac 180 Standard and Delux Kits; Restraining and Alignment Clamp

Extremely rigid and powerful Clamp available in two kit options and with the option of additional accessories.

'Click-tight' liners for quick and easy adjustment for different pipe diameters... screws and allen keys are not required!

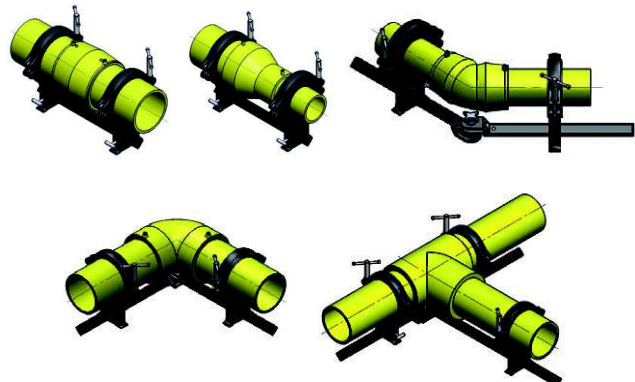
The standard Clamp caters for straight and reducing fittings, whilst the Delux Clamp can also handle elbows. Both kits come in a tough carry-bag and have the option of additional size liners and a 90° arm attachment to enable the use of a third clamp ring for welding 90° equal tees.

| Product code | Description | Size Diameter Range | |
|----------------|---|---------------------|---|
| 089-000302 | EFrac 180 Kit – Standard, complete with straight bar, standard liners and bag | 63, 90, 125 & 180mm | Ⓜ |
| 089-000345 | EFrac 180 Kit – Delux, complete with knuckled bar, standard liners and bag | 63, 90, 125 & 180mm | Ⓜ |
| 045-000202 | Spare Blue Carrying Holdall | - | |
| Please enquire | Spare Blue Carrying Holdall - Customer Logo | - | |
| 089-000305 | EFrac 180 90deg tee adaptor clamp | 63, 90, 125 & 180mm | Ⓜ |
| 045-000245 | EFrac 180 90deg tee adaptor Carrying Holdall (not supplied as std.) | - | |
| Please enquire | EFrac 180 90deg tee adaptor Carrying Holdall - Customer Logo | - | |

Table showing all 'click-tight' liners available

| Product code | Description | |
|--------------|--------------------------------|---|
| 604-000005 | 63mm Liner, each (4 required) | Ⓜ |
| 604-000009 | 75mm Liner, each (4 required) | Ⓜ |
| 604-000004 | 90mm Liner, each (4 required) | Ⓜ |
| 604-000006 | 110mm Liner, each (4 required) | Ⓜ |
| 604-000003 | 125mm Liner, each (4 required) | Ⓜ |
| 604-000007 | 140mm Liner, each (4 required) | Ⓜ |
| 604-000008 | 160mm Liner, each (4 required) | Ⓜ |

* Note, other size liners available on request





Alignment Clamps



EFAC63 Standard Alignment Clamp

EFAC63 45/90° Alignment Clamp

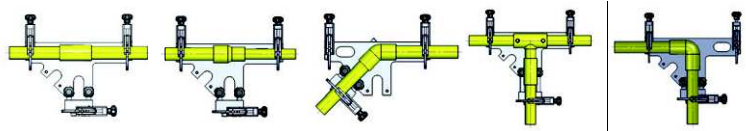
Electrofusion Alignment Clamps

The Hy-Ram range of Electrofusion Alignment Clamps cover the range 16 to 400mm diameter for any combination of pipe sizes within the clamp range... whilst also maintaining the centre-line.

EFAC 63 Alignment Clamp (no liners required)

Small, compact Service pipe Alignment Clamp ensures quick and easy clamping of any size pipe within the range with no adjustment or loose pieces. The standard version handles straight and reducing fittings, whilst the 45/90° version also facilitates clamping of elbows.

| Product code | Description | Size Diameter Range |
|--------------|--------------------------------|-----------------------|
| 089-00050 | EFAC 63 Alignment Clamp | 16 – 63mm (inclusive) |
| 089-000166 | EFAC 63 45/90° Alignment Clamp | 16 – 63mm (inclusive) |



EFAC 180 Alignment Clamp (no liners required)

The 'original' no-liner clamp, the gear in the base ensures quick and easy clamping of any size pipe within the clamp range with no adjustment or loose pieces. The standard version handles straight and reducing fittings, whilst the 45/90° Adaptor kit also facilitates clamping of elbows and tees.

| Product code | Description | Size Diameter Range | |
|--------------|---------------------------------|------------------------|---|
| 089-00048 | EFAC 180 Alignment Clamp | 63 – 180mm (inclusive) | Ⓜ |
| 089-00049 | 45/90° Adaptor Kit for EFAC 180 | 63 – 180mm (inclusive) | Ⓜ |



EFAC 180 Alignment Clamp

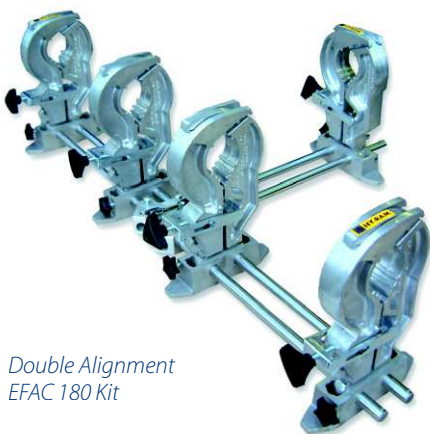
EFAC 180 Alignment Clamp C/W 45/90° Adapter Kit



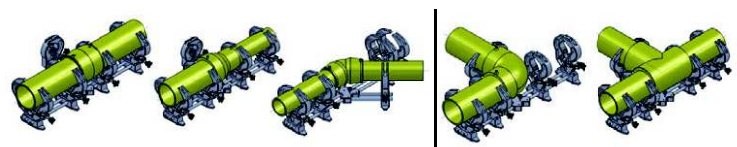
EFAC180 Double Alignment Clamp (no liners required)

Similar to the EFAC180 except features a double clamp either side of the fitting in order to increase rigidity. Comes complete in a strong steel carry-case.

| Product code | Description | Size Diameter Range | |
|--------------|---|------------------------|---|
| 089-000140 | EFAC180 'Double' Alignment Clamp Kit (including steel carry case) | 63 – 180mm (inclusive) | Ⓜ |
| 089-00049 | 45/90° Adaptor Kit for above | 63 – 180mm (inclusive) | Ⓜ |

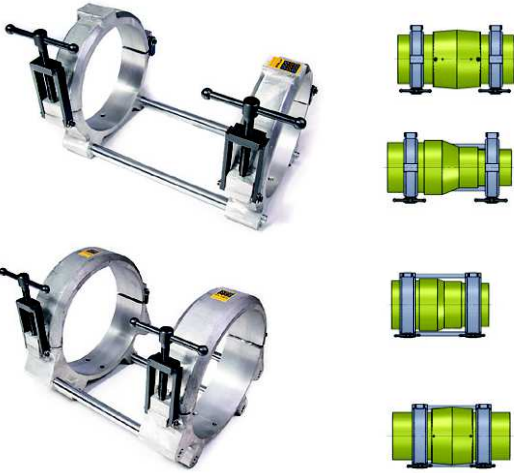


Double Alignment EFAC 180 Kit





Alignment Clamps



EFRAC 250 Restraining and Alignment Clamp

Strong, robust 'original' style Clamp with liners suitable for clamping straight and reducing fittings.

| Product code | Description | Size Diameter Range | |
|--------------|----------------------------|-------------------------|---|
| 089-000093 | EFRAC 250 Alignment Clamp | 180 - 250mm (inclusive) | Ⓜ |
| 300-000022 | Liner 250/180 (4 required) | | Ⓜ |

* Note, other size liners available on request

EFRAC315 Restraining and Alignment Clamp

Strong, robust 'original' style Clamp with liners suitable for clamping straight and reducing fittings.

| Product code | Description | Size Diameter Range | |
|--------------|----------------------------|-------------------------|---|
| 089-000094 | EFRAC 315 Alignment Clamp | 250 - 315mm (inclusive) | Ⓜ |
| 300-000057 | Liner 315/250 (4 required) | | Ⓜ |

* Note, other size liners available on request

Manual Positioning Clamps

Manual Positioning Clamp



AlignMaster Manual Positioning Clamps (280, 315, 355, 400)

Manual Positioning Clamps are for positioning and restraining medium size pipe work throughout the electrofusion jointing process. These clamps are for use with in line or angled joints with the correct base unit and bars.

| Product Code | Description | |
|--------------|---|---|
| 089-000551 | 315mm Positioning Clamp | Ⓜ |
| 089-000552 | 355mm Positioning Clamp | Ⓜ |
| 089-000553 | 400mm Positioning Clamp | Ⓜ |
| 604-000029 | 400 - 355mm Set of Reducing Shells (2 pieces) | Ⓜ |
| 604-000030 | 400 - 315mm Set of Reducing Shells (2 pieces) | Ⓜ |
| 604-000031 | 315 - 280mm Set of Reducing Shells (2 pieces) | Ⓜ |

Strap-type Manual Positioning Clamp (63 - 500mm)

For positioning and supporting PE pipes and equal or reduced outlet couplers, bends, elbows, 3 way 'T' fittings throughout the electrofusion jointing process.

| Product code | Description | |
|--------------|--|---|
| 089-000580 | 125 - 500mm Positioning Clamp, 2-way, straight base | Ⓜ |
| 089-000581 | 125 - 500mm Positioning Clamp, 2-way, angle maker base | Ⓜ |
| 089-000582 | 3 way adaptor kit for either of the 2-way Clamps above | Ⓜ |

Large Diameter Hydraulic Restraining Clamp

AlignMaster Hydraulic Positioning Kit

Hydraulically powered re-rounding and positioning units for supporting and restraining large diameter pipes and couplers throughout the electrofusion jointing process.



Hydraulic Restraining Clamp

| Product code | Description | |
|--------------|---|----|
| 089-000561 | 400mm Hydraulic Positioning Kit + 2 x Pumps | ⓂⓂ |
| 604-000022 | 400 - 355mm Set of Reducing Shells (3 pieces) | ⓂⓂ |
| 604-000023 | 400 - 315mm Set of Reducing Shells (3 pieces) | ⓂⓂ |
| 089-000562 | 500mm Hydraulic Positioning Kit + 2 x Pumps | ⓂⓂ |
| 604-000024 | 500 - 450mm Set of Reducing Shells (3 pieces) | ⓂⓂ |
| 604-000025 | 500 - 400mm Set of Reducing Shells (3 pieces) | ⓂⓂ |
| 089-000563 | 630mm Hydraulic Positioning Kit + 2 x Pumps | ⓂⓂ |
| 604-000026 | 630 - 560mm Set of Reducing Shells (3 pieces) | ⓂⓂ |
| 604-000027 | 630 - 500mm Set of Reducing Shells (3 pieces) | ⓂⓂ |
| 089-000564 | 710mm Hydraulic Positioning Kit + 2 x Pumps | ⓂⓂ |
| 604-000028 | 710 - 630mm Set of Reducing Shells (3 pieces) | ⓂⓂ |